



Cave CV 60

It is in it, where your employees find out how important they are to the organisation. It fulfils your needs and gives you a sense of security, brotherhood and equality. The Cave is the perfect place for a conversation supporting a creativity of the team and designed to ensure comfort, convenience and silence to everyone.

CV 60 / Technical data

● Standard ○ Option

Base

CODE

Powder painted (coloring according to Bejot's pattern book) ●

Chromed ○

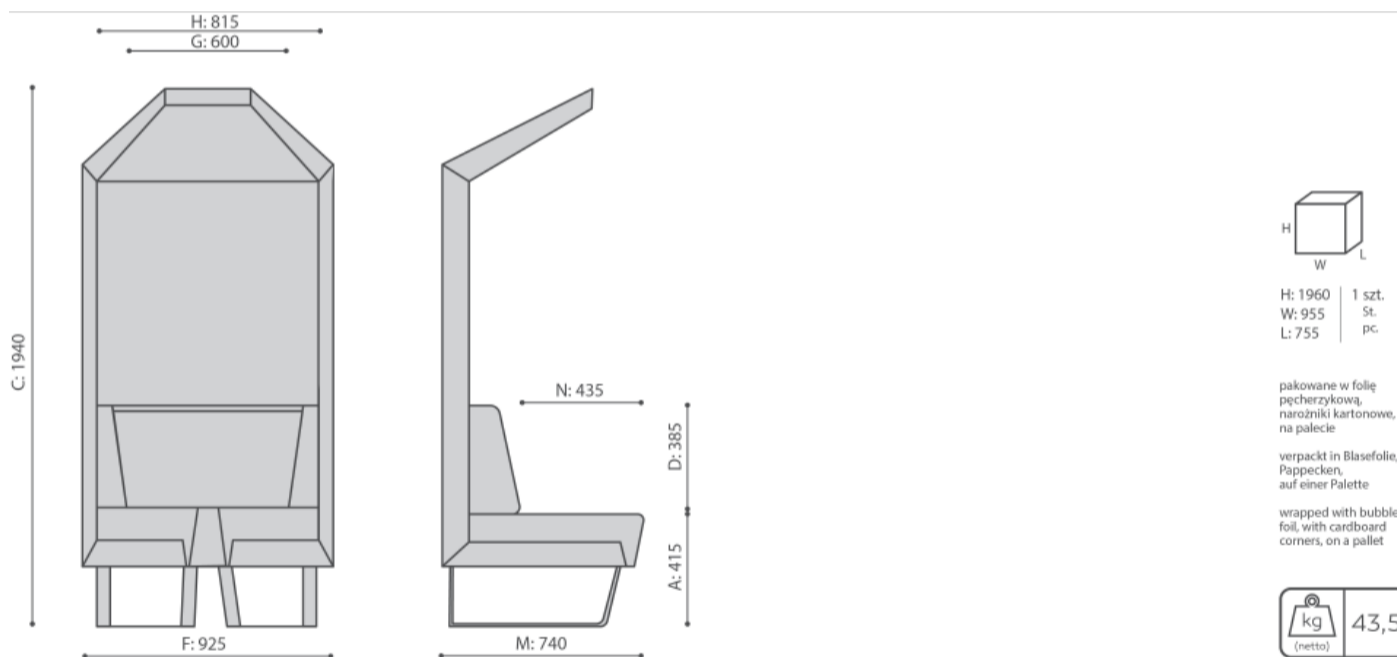
CV 60, CV STR - contain a skid as standard. When choosing a chrome construction, the surcharge for the chrome skid closing the set should be added, which in powder painted version is included in the CV H END element

CV H END - the elements closing the set, they should be taken into account regarding each set.

CV 60 / Dimensions

Dimensions are approximate and may vary depending on the selected product configuration. The requirements of the standard are always met.

seat height: overall dimensions	A
seat height	B
chair height: overall dimensions	C
backrest height	D
chair width: overall dimensions	F
seat width	G
backrest width	H
height from the floor to the armrest	K
chair depth: overall dimensions	M
seat depth / seat length	N



CV 60H IN



Cave CV STR

It is in it, where your employees find out how important they are to the organisation. It fulfils your needs and gives you a sense of security, brotherhood and equality. The Cave is the perfect place for a conversation supporting a creativity of the team and designed to ensure comfort, convenience and silence to everyone.

CV STR / Technical data

● Standard ○ Option

Base

CODE

Powder painted (coloring according to Bejot's pattern book) ●

Chromed ○

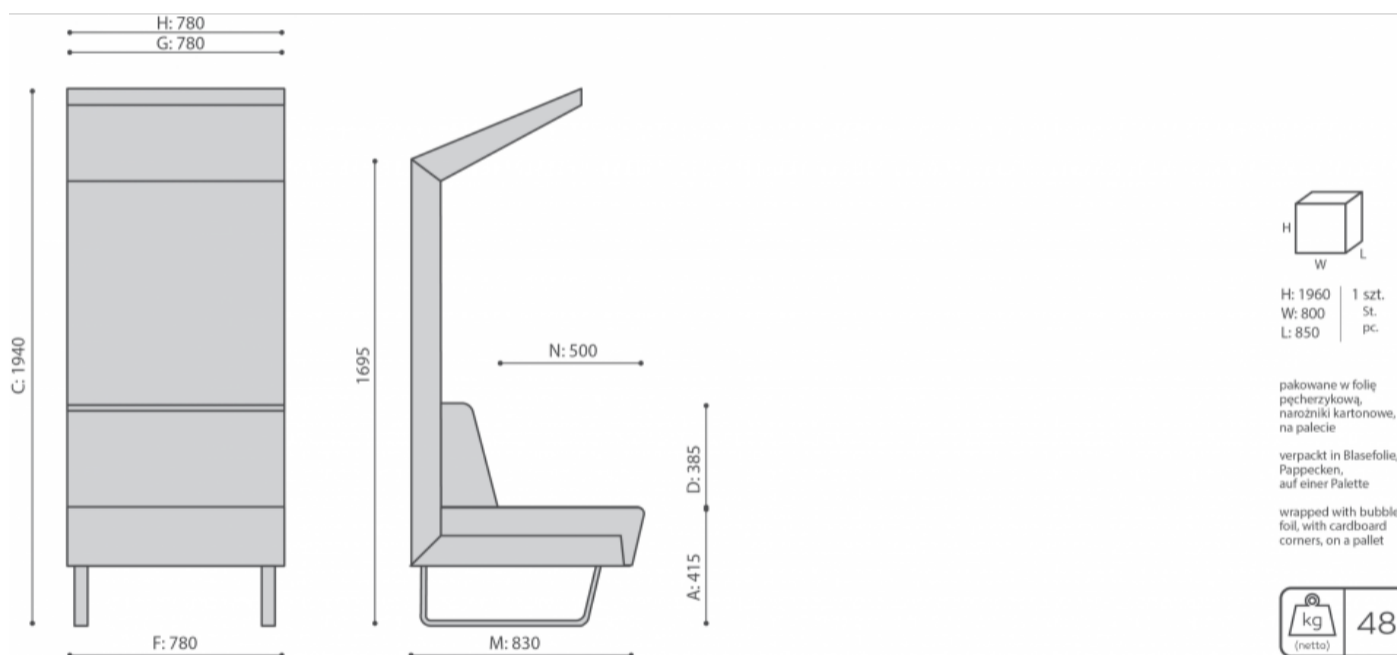
CV 60, CV STR - contain a skid as standard. When choosing a chrome construction, the surcharge for the chrome skid closing the set should be added, which in powder painted version is included in the CV H END element

CV H END - the elements closing the set, they should be taken into account regarding each set.

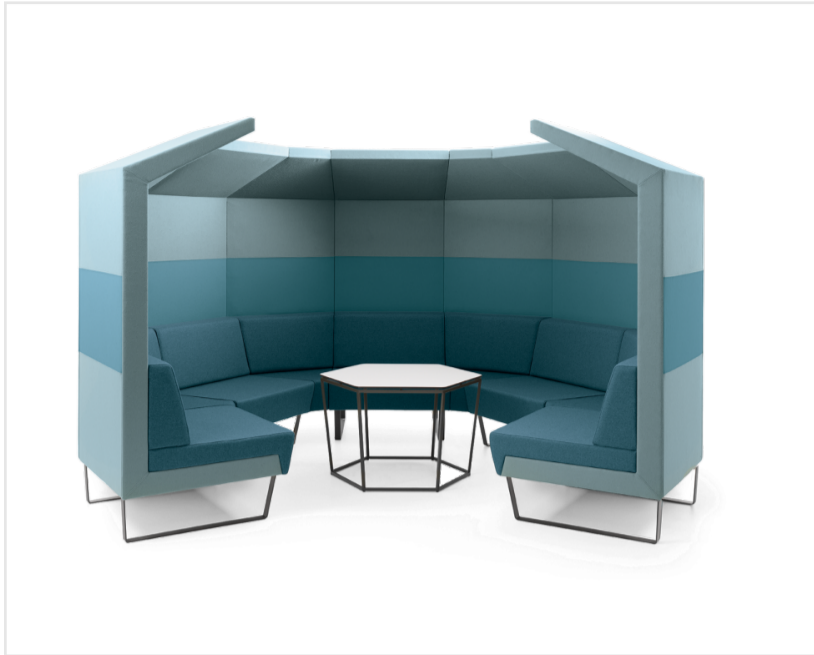
CV STR / Dimensions

Dimensions are approximate and may vary depending on the selected product configuration. The requirements of the standard are always met.

seat height: overall dimensions	A
seat height	B
chair height: overall dimensions	C
backrest height	D
chair width: overall dimensions	F
seat width	G
backrest width	H
height from the floor to the armrest	K
chair depth: overall dimensions	M
seat depth / seat length	N



CV STRH



Cave CV H END

It is in it, where your employees find out how important they are to the organisation. It fulfils your needs and gives you a sense of security, brotherhood and equality. The Cave is the perfect place for a conversation supporting a creativity of the team and designed to ensure comfort, convenience and silence to everyone.

CV H END / Technical data

Standard Option

Base

CODE

Powder painted (coloring according to Bejot's pattern book)

Chromed

CV 60, CV STR - contain a skid as standard. When choosing a chrome construction, the surcharge for the chrome skid closing the set should be added, which in powder painted version is included in the CV H END element

CV H END - the elements closing the set, they should be taken into account regarding each set.