



Treehouse THSW 1S G1

Treehouse was created to feel the atmosphere like a child's play, warm, cozy, safe, and at the same time extremely functional. Its form resembles treehouses, where the most creative ideas are born.

THSW 1S G1 / Technical data

● Standard

○ Option

Base

CODE

Frame, handle and hinges (3 pcs) powder coated (RAL colors structure: 7024S, 7045S, 7047S, 9005S, 9010S)

●

Toughened, transparent glass, combined with acoustic foil

●

Ventilation system coupled with motion detector. Black ventilation grate.

●

Black acoustic seals

●

Floor and walls - Pine plank (colors according to the Bejot pattern book)

●

Floor and walls - Oak plank (colors according to the Bejot pattern book)

○

Warning! Check if the product dimension does not conflict with the dimensions of the elevator and the entrance to the building where the product will be installed

Tabletop

CODE

Laminated board (colors according to Bejot sampler book)

●

Finger joint solid pine wood (colors according to the Bejot pattern book)

○

Finger joint solid oak wood (colors according to the Bejot pattern book)

○

Mediaport

CODE

Round PIX mediaport (white-W or black-B) - 1 voltage socket 230 V (type E - Poland, France / type F - Germany / type G - United Kingdom)

[type]1V

●

Round PIX mediaport (white-W or black-B) - 2 x USB charger

M1CC

○

Inductive charger

IC

Additional equipment
CODE

Lamp with motion detector (powered by 12V). Illuminance intended for reading ●

Black tablet / phone stand (an integral part of the tabletop) ○

TS

In the order there has to be specified the type of electrification (type E - Poland, France / type F - Germany / type G - United Kingdom)
 Treehouse is delivered partly disassembled.

THSW 1S G1 / Technical data

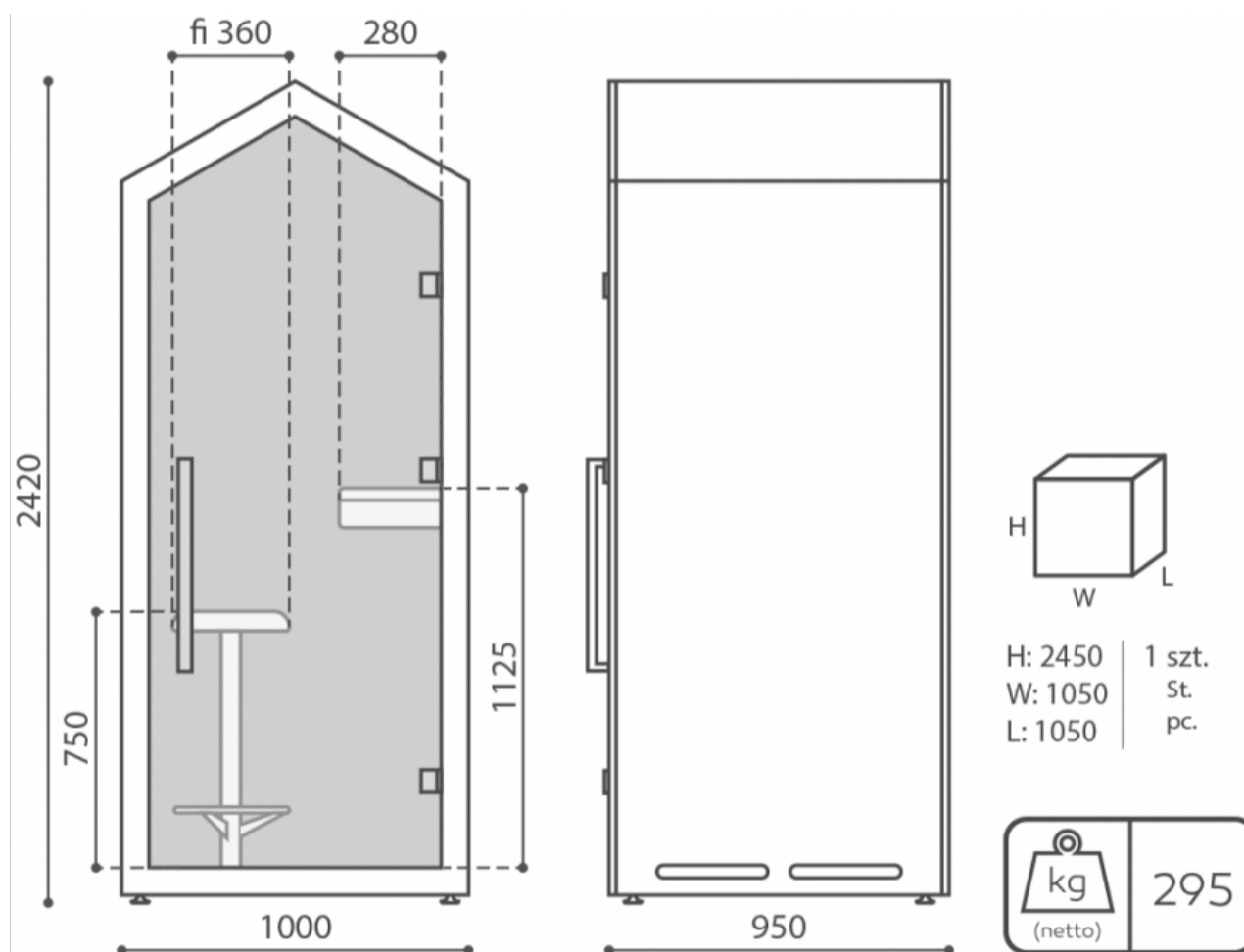
THSW 1S G1 Exterior walls - wooden panels, interior walls - upholstered, a table, a seat, one-sided glazing

THSW 1S G1 / Dimensions

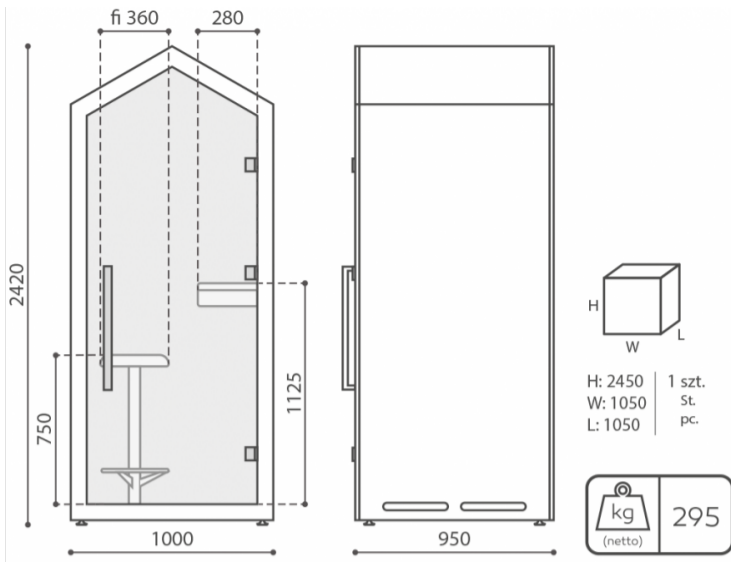
Dimensions are approximate and may vary depending on the selected product configuration. The requirements of the standard are always met.

 height: overall dimensions **H**

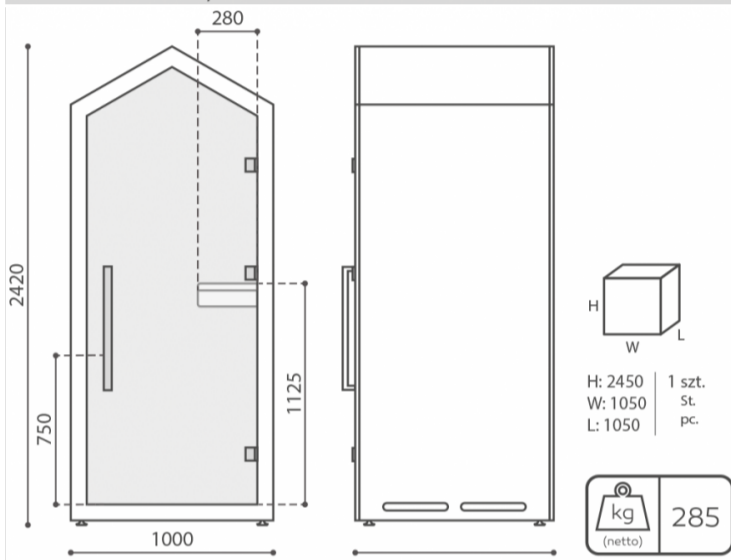
 width: overall dimensions **W**

 depth: overall dimensions **L**


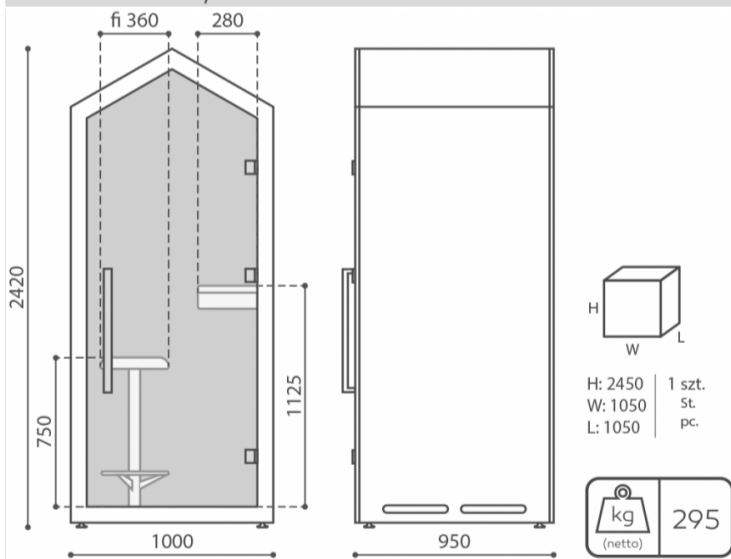
THS 1 SG1 / THSW 1 SG1



THS 1 SG2 / THSW 1 SG2



THS 1 TG2 / THSW 1 TG2



THS 1 SG1 / THSW 1 SG1

